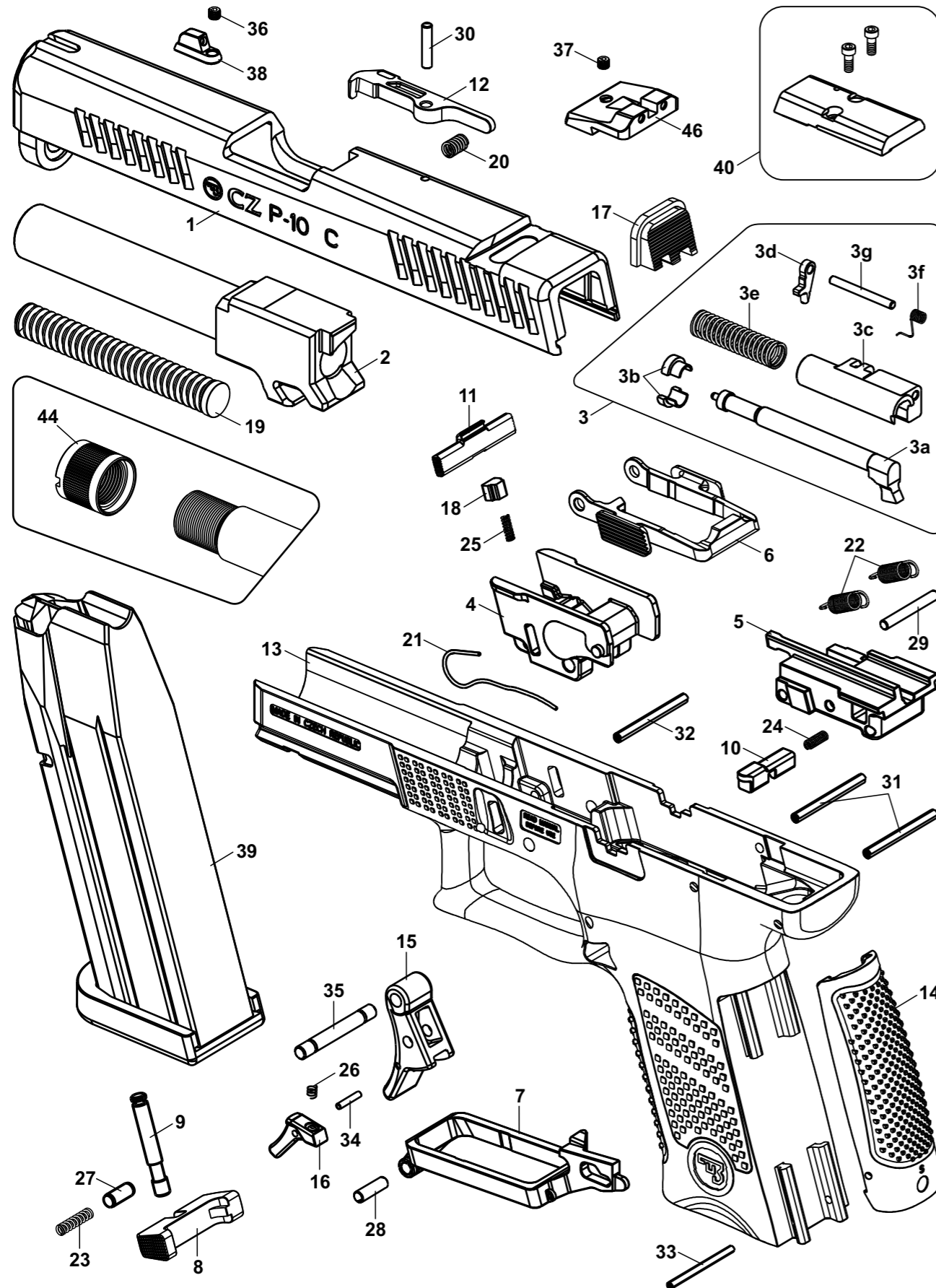




For those  
who know

# CZ P-10 c



- 1 Slide \*
- 2 Barrel \*
- 3 Firing pin (assembly)
  - a) Firing pin
  - b) Spring holder (2x)
  - c) Firing pin case
  - d) Automatic safety
  - e) Main spring
  - f) Automatic safety spring
  - g) Automatic safety pin
- 4 Insert - front
- 5 Insert - rear
- 6 Slide stop
- 7 Trigger bar
- 8 Magazine catch \*
- 9 Magazine catch plug \*
- 10 Trigger bar disconnecter \*
- 11 Disassembly plate
- 12 Extractor
- 13 Frame \*
- 14
  - a) Back strap "S"
  - b) Back strap "M"
  - c) Back strap "L"
- 15 Trigger
- 16 Trigger safety
- 17 Slide cover
- 18 Disassembly plate retainer
- 19 Recoil spring \*
- 20 Extractor spring
- 21 Slide stop spring
- 22 Trigger bar spring (2x)
- 23 Magazine catch spring \*
- 24 Trigger bar disconnecter spring
- 25 Disassembly plate spring
- 26 Trigger safety spring
- 27 Magazine catch pin \*
- 28 Trigger bar pin
- 29 Trigger bar spring pin
- 30 Extractor pin
- 31 Insert - rear coiled pin (2x)
- 32 Insert - front coiled pin
- 33 Interchangeable back strap pin
- 34 Trigger safety pin
- 35 Front insert pin
- 36 Front sight screw \*
- 37 Rear sight screw \*
- 38 Front sight \*
- 39 Magazine \*
- 40 Cover with screws \*
- 41 -
- 42 -
- 43 -
- 44 Thread guard \*
- 45 -
- 46 Rear sight

The parts marked \* differ according to versions, or as case may be in some versions are entirely missing.